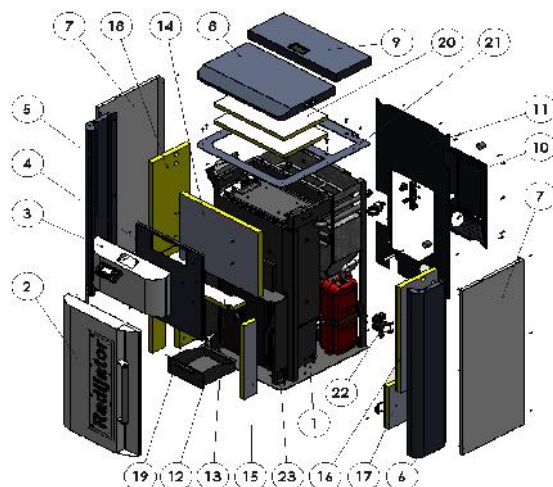




SERVISNA KNJIGA REZERVNIH DELOVA

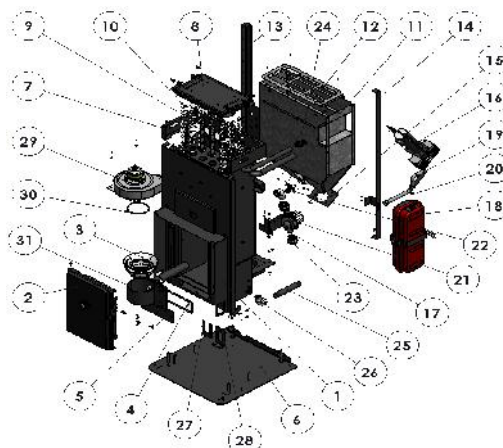
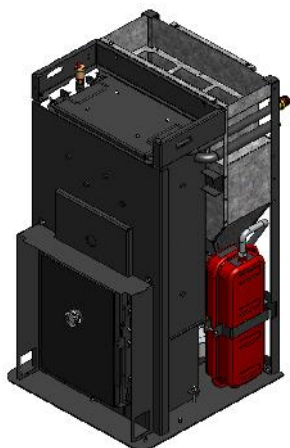
Kotao sa oplatom / Boiler - BIOlux - Uni 20



No.	Slika dela / Pictures of parts	NAZIV / NAME	Tip kotla / Type of boiler	Dimenzija / Dimension (mm)	CODE PDM	CODE INFOerp	Q.	Težina / Weight (kg)
0		iš enje kotla Biolux 20 - Uni 20	BioLux - Uni 20		S0005795			
1		Skidanje cele oplote kotla BioLux - Uni 20	BioLux - Uni 20	710x614x1195	S0005537		1	205.50
2		Sklop vrata oplote / Outside jacket door	BioLux - Uni 20	524x85x882	S0005600		1	14.10
3		Sklop - prednja strana oplote / Assembly - front panel	BioLux - Uni 20	90x524x300	S0005599		1	4.40
4		Ceona gornja strana oplote / Front panel upper	BioLux - Uni 20	18.5x472x603	D0026564		1	3.00
5		Sklop leve bočne lajsne oplote / Left side hand batten panel	BioLux - Uni 20	228x92x1169	S0005608		1	3.80
6		Sklop desne bočne lajsne oplote / Right side hand batten panel	BioLux - Uni 20	228x92x1169	S0005609		1	3.80
7		Sklop bočne strane oplote / Lateral side panel of jacket	BioLux - Uni 20	442.1x 49 x 1167.8	S0005607		2	3.97
8		Sklop poklopca kotla / Boiler cover	BioLux - Uni 20	386x61.2x624	S0005604		1	3.50

9		Sklop poklopca silosa / Silo cover	BioLux - Uni 20	260x624x105	S0005605		1	3.46	
10		Poklopac zadnje strane oplate / Cover of back panel	BioLux - Uni 20	357.7x51x597.7	D0030388		1	1.36	
11		Sklop zadnje strane oplate / Assembly of back side panel	BioLux - Uni 20	520x1.2x1164	S0005595		1	3.73	
12		Pepeljara / Ashtray	BioLux - Uni 20	275x255x131.5	S0003884		1	1.96	
13		Izolacija prednje gornje strane kotla / Isolation upper front side	BioLux - Uni 20	498.4x105x130	D0026760		1	0.07	
14		Izolacija prednje strane kotla / Isolation front side	BioLux - Uni 20	460x560x30	D0026762		1	0.38	
15		Izolacija prednje bočne strane kotla / Isolation front lateral side	BioLux - Uni 20	95x30x520	D0026761		2	0.07	
16		Izolacija desne bočne strane izmenjivaca / Isolation right side exchanger	BioLux - Uni 20	270x30x748	D0026815		1	0.30	
17		Izolacija bočne desne strane oplate dimovodnih kanala	BioLux - Uni 20	241x30x300	D0026821		1	0.11	
18		Izolacija leve bočne strane izmenjivaca / Isolation left side exchanger	BioLux - Uni 20	270x30x748	D0026816		1	0.30	
19		Izolacija leve bočne strane kutije dimovodnih kanala	BioLux - Uni 20	241x30x300	D0026822		1	0.10	
20		Izolacija poklopca kotla / Isolation cover boiler	BioLux - Uni 20	312x25x498	D0026814		2	0.19	
21		Osnovni lim plotne / Basic part of plate	BioLux - Uni 20	677x628x18.6	D0026752		1	6.25	
22		Sklop za vezivanje kondenzatora /	BioLux - Uni 20	97x75x34	S0004294		1	0.06	
23		Poklopac unutrašnjeg dela stitnika / Cover the inside of the protector	BioLux - Uni 20	82x105x0.8	D0026817		2	0.05	

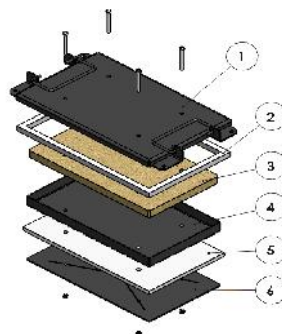
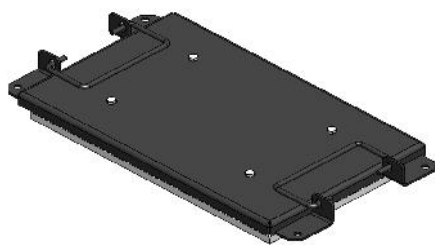
Ki enje kotla - BIOlux - Uni 20



No.	Slika dela / Pictures of parts	NAZIV / NAME	Tip kotla / Type of boiler	Dimenzija / Dimension (mm)	CODE PDM	CODE INFOerp	Q.	Težina / Weight (kg)	
1		Sklopni II plasta / Heat exchanger	BioLux - Uni 20	775x567x1078	S0005615		1	107.20	
2		Sklop unutrasnjih vrata / Door inside	BioLux - Uni 20	360x125x460	S0006072		1	10.60	
3		Šolja za sagorevanje / Combustion chamber	BioLux - Uni 20	Ø100x105	S0004411		1	2.5	
4		Izolacija poklopca sa prednje strane / Insulation of cover for cleaning	BioLux - Uni 20	260x90x3	D0015149		1	0.02	
5		Poklopac otvora za iš enje / Cover for cleaning	BioLux - Uni 20	260x3x90	D0015150		1	0.55	
6		Sklop postolja / Stand	BioLux - Uni 20	627x614x110	S0005617		1	17.20	
7		Okvir ispod plotne kotla	BioLux - Uni 20	567x284.6x100	D0025495		1	2.35	
8		Poklopac izmenjivaca / Cover of exchanger	BioLux - Uni 20	467x250x75	S0005626		1	8.70	
9		Turbulator zicani / Wired turbulator	BioLux - Uni 20	5.5x745	D0017520		6	0.40	
10		Sklop turbulatora / Assembly of turbulator	BioLux - Uni 20	267x60x34	S0004692		6	0.06	
11		Silos / Silo	BioLux - Uni 20	237x564x780	S0005549		1	8.20	
12		Resetka silosa / Grille silo	BioLux - Uni 20	212x480x15	D0025489		1	0.35	
13		Levi nosac silosa / Left carrier of silo	BioLux - Uni 20	1170x110x91.5	D0025432		1	2.50	

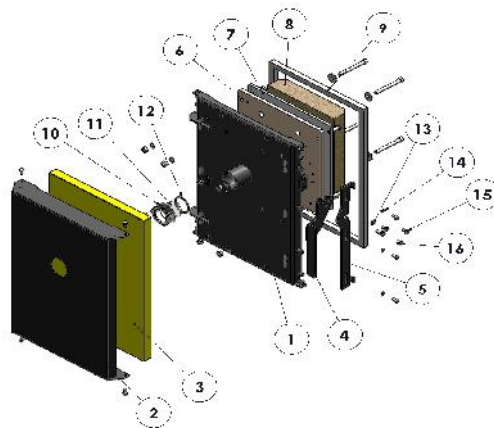
14		Desni nosac silosa / Right carrier of silo	BioLux - Uni 20	86x36.5x1170	D0025431		1	2.04	
15		Pločica silosa / Tile silo	BioLux - Uni 20	160x108x3	D0017607		1	0.30	
16		Sklop dozatora sa dva klizna lezaja / Feeder	BioLux - Uni 20	447x177x130	S0005073		1	7.83	
17		Nosac konektora	BioLux - Uni 20	81x100x109	D0017992		1	0.26	
18		Akumulator prizma / Expansion vessels	BioLux - Uni 20	197.6x520x128	K0000484		1	6.30	
19		Fleksibilno crevo ekspanzione posude / Flexible pipe of expansion vessels	BioLux - Uni 20	Ø20x609	D0017511		1	0.15	
20		Dihung za holender 3/4" za inox crevo / Metal gasket for the pipe of stainless steel	BioLux - Uni 20	Ø23.5x2	K0001450		2	/	
21		Pumpa, RS25/6-3P,230V / Pump	BioLux - Uni 20	/	K0000582		1	6.30	
22		Slavina PIP 1/2" - 55426001	BioLux - Uni 20	/	K0000473		1	/	
23		Holender 1" / Straight connector 1"	BioLux - Uni 20	/	K0001005		2	/	
24		Sigurnosni ventil 1/2" / Safety valve 1/2"	BioLux - Uni 20	/	K0000560		1	/	
25		Štucna 1" x 195 mm	BioLux - Uni 20	Ø33.7x195	D0017874		1	0.57	
26		Koleno - muško - žensko, 1" / Elbow pipe 1"	BioLux - Uni 20	1"	K0000681		2	0.47	
27		Pokretni lim za stezanje cevi	BioLux - Uni 20	70x3x110	D0018100		1	0.08	
28		Ploča - osigurač od okretanja cevi	BioLux - Uni 20	130x70x35	D0018099		1	0.20	
29		Kućište ventilatora / Housing of fan	BioLux - Uni 20	236x300x80	S0004661		1	1.86	
30		Silikonski dihtung za ventilator	BioLux - Uni 20	Ø130x3	D0002880		1	/	
31		Kutija za sagorevanje / Box for combustion chamber	BioLux - Uni 20	535.5x224x230	S0003722		1	7.90	

Poklopac izmenjiva a - BIOlux - Uni 20



No.	Slika dela / Pictures of parts	NAZIV / NAME	Tip kotla / Type of boiler	Dimenzija / Dimension (mm)	CODE PDM	CODE INFOerp	Q.	Težina / Weight (kg)	CENA/PRICE (EUR)
1		Sklop osnovnog lima poklopca izmenjiva a / Assembly of basic cover exchanger	BioLux - Uni 20	467x250x33	S0005633		1	3.15	12
2		Pletenica na gornjem delu izmenjiva a / Ceramic rope	BioLux - Uni 20	244x397x14	D0017673		1	0.2	2
3		Vermikulit poklopca izmenjiva a / Insulation of cover exchanger	BioLux - Uni 20	363x210x25	D0017744		1	0.95	7
4		Korito vermikulita / Trough for insulation	BioLux - Uni 20	369x216x28	D0017674		1	1.7	8
5		Izolacija poklopca izmenjiva a / Insulation of cover exchanger	BioLux - Uni 20	379x226x10	D0020360		1	0.81	5
6		lim poklopca izmenjiva a / Panel of cover exchanger	BioLux - Uni 20	216x3x369	D0020358		1	1.86	8

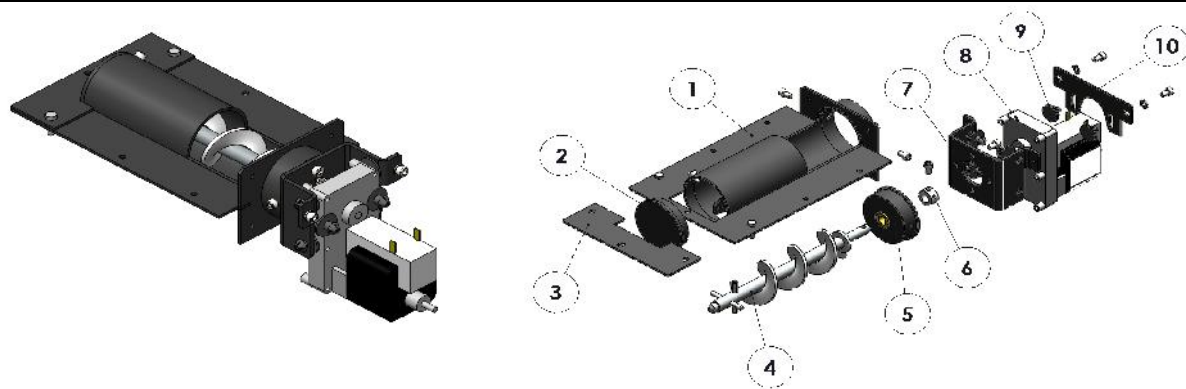
Sklop unutrašnjih vrata - BIOlux - Uni 20



No.	Slika dela / Pictures of parts	NAZIV / NAME	Tip kotla / Type of boiler	Dimenzija / Dimension (mm)	CODE PDM	CODE INFOerp	Q.	Težina / Weight (kg)	CENA/PRICE (EUR)
-----	--------------------------------	--------------	----------------------------	----------------------------	----------	--------------	----	----------------------	------------------

1		Osnova unutrašnjih vrata (MALA) / Basic inside door	BioLux - Uni 20	466x91x366	S0006073		1	4.76	
2		Nosa izolacije na unutrašnjim vratima (MALA) / Carrier isolation on inside door	BioLux - Uni 20	360x65x460	D0032460		1	2	
3		Izolacija unutrašnjih vrata (MALA) / Isolation inside door	BioLux - Uni 20	457x25x315	D0032459		1	0.106	
4		Ru ica za zabavljanje vrata (MALA) / Handle for the door	BioLux - Uni 20	90x220x35	D0026804		1	0.35	
5		Flah za zabavljanje vrata (MALA)	BioLux - Uni 20	57x330x5	D0032461		1	0.31	
6		Izolacija vrata (MALA) / Door isolation	BioLux - Uni 20	274x274x10	D0032462		1	0.7	
7		Zaštitnik izolacije na vratima (MALA) / Protection for isolation on the door	BioLux - Uni 20	276x276x9	D0032463		1	0.51	
8		Vermikulit- izolacija unutrašnjih vrata (MALA)	BioLux - Uni 20	261x220x50	D0032464		1	1.32	
9		Pletenica vrata (MALA) / Ceramic rope	BioLux - Uni 20	450x312x14	D0032458		1	0.24	
10		Poklopac revizora	BioLux - Uni 20	Ø56x22	K0000832		1	0.045	
11		Kaljeno staklo 5 mm / Tempered glass 5 mm	BioLux - Uni 20	Ø44.5x5	K0000316		1	0.019	
12		Dichtung poklopca revizora / Seal od cover of reviser	BioLux - Uni 20	Ø48x1.5	K0000317		1	/	
13		Podloška zakrivljena D8 DIN 137 tip A / Shim	BioLux - Uni 20	/	K0001238		1	/	
14		Podloška zakrivljena D6 DIN 137 tip A / Shim	BioLux - Uni 20	/	K0001237		3	/	
15		Nosa ru ica, D 8 / Carrier of handle	BioLux - Uni 20	/	K0001236		2	/	
16		Ležaj-HK0810 DIN 618 / Bearing	BioLux - Uni 20	/	K0001239		1	/	

Dozer - BIOlux - Uni 20



No.	Slika dela / Pictures of parts	NAZIV / NAME	Tip kotla / Type of boiler	Dimenzija / Dimension (mm)	CODE PDM	CODE INFOerp	Q.	Težina / Weight (kg)	
1		Osnovni deo dozera BIOlux 20 - sa 2 klizna ležaja / Basic part of feeder	BioLux - Uni 20	289x177x100	S0005074		1	2.7	
2		Sklop upresovane aure gornjeg poklopca dozera BIOlux 20	BioLux - Uni 20	Ø76.1x19	S0006061		1	0.5	
3		Plo ica dozera kod gornjeg poklopca	BioLux - Uni 20	177x55x3	D0022654		1	0.19	
4		Spirala dozera BIOlux 20 sa 2 klizna ležaja / Feeder spiral	BioLux - Uni 20	Ø52x264	S0005075		1	0.6	
5		Sklop donjeg poklopca dozera	BioLux - Uni 20	Ø76.1x25	S0005080		1	0.58	
6		aure za vezivanje motora dozatora BIOlux 20	BioLux - Uni 20	Ø22x12	D0032428		1	0.024	
7		Nosa motora dozera / Carrier of engine on feeder	BioLux - Uni 20	126x80x50	D0017602		1	0.4	
8		Motor dozatora-PELET KAMIN / Motor on feeder	BioLux - Uni 20	119x135x70	K0001126		1	3.42	
9		Vibracioni ep 8	BioLux - Uni 20	/	K0001747		6	/	
10		Nosa motora dozera (KENTA) BIOlux 20 / Carrier of engine on feeder	BioLux - Uni 20	130x58x2	D0030534		1	0.07	

ELEKTRO KOMPONENTE I OSTALO / Electrical component & other BIOlux - Uni 20									
1		Kondenzator ventilatora 5 µF	BioLux - Uni 20	Ø30x63.7	D0018031		1	/	
2		Elektro greja FKK PSx - 6 - 240 - B / Ignitioner	BioLux - Uni 20	/	K0001493		1	0.08	
3		Tropolni konektor, muški, 250V 16A, EP 1100 S (EP3M+EP3GS) / 3-pole connector attach	BioLux - Uni 20	/	K0000278	9448	4	/	
4		Tropolni konektor, ženski, 250V 16A, EP 1110 S (EP3F+EP3gS) / 3-pole connector	BioLux - Uni 20	/	K0001099	9449	4	/	
5		Prekida dvopolni ON/OFF, sa lampicom i 4 priklju ka.za otvor 30x22mm. 230V 16A. / Switch 2-pol ON/OFF with indicator and 4 conection, for hole 30x22mm. 230V 16A	BioLux - Uni 20		K0000556		1		
6		Sigurnosni termostat 110-6°C, 250V, STB 115408 / Safety thermostat	BioLux - Uni 20	/	K0001345		1	0.43	
7		Automatika PSYSL01000149 / Control	BioLux - Uni 20	1789x129x70	K0001164		1	1.00	
8		Presostat za vodu / Presostat	BioLux - Uni 20	Ø84x50	K0001280		1	1.00	
9		Presostat vazduha PELET kamina / Pressure air switch PELLET stove	BioLux - Uni 20	Ø84x50	K0001279		1	1.00	
10		Ventilator Ebmpapst R2E 180 - CG82 - 01 / Fan	BioLux - Uni 20	Ø212x150	K0001494		1	4.30	
11		Motor dozatora/ Motor on feeder	BioLux - Uni 20	161x70x119	K0001126		1	3.50	
12		Sonda dimovodnih gasova PELET kamina / Flue gas probe for PELLET stove	BioLux - Uni 20	/	K0001477		1	/	
13		Sonda za vodu PELET kamina / Water probe for PELLET stove	BioLux - Uni 20	/	K0001280		1	/	
14		Odzra ni ventil od 1/2" PELET kamina / Relief valve 1/2" for PELLET stove	BioLux - Uni 20	/	K0000559		2	/	
15		Fleksibilno crevo sa spiralom. Texoflex - ECGF08N. Pre nik Ø=8mm, Boja: crna. EN 61386-1,EN 61386-23/ Flexible ribbed pipe Ø=8mm	BioLux - Uni 20	5 m	K0001084	12755	/	/	
16		Fleksibilno crevo sa spiralom. Texoflex - ECGF10N. Pre nik Ø=10mm, Boja: crna. EN 61386-1,EN 61386-23/ Flexible ribbed pipe Ø=10mm	BioLux - Uni 20	6 m	K0001186	12754	/	/	
17		Automatika TIEMME SY 250 / Control TIEMME SY 250	BIOlux 20	/	K0001181		1	/	

U Kraljevu 10.03.2016
M.P.

ODOBRIO:
Direktor Milan Jani