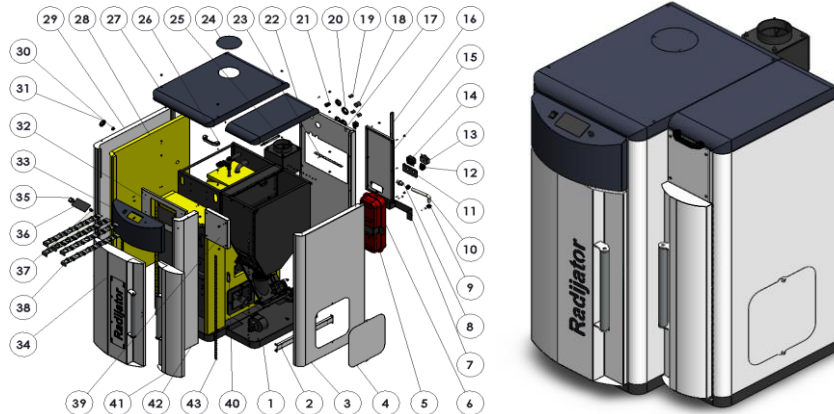



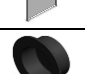





## Rezervni delovi COMPACT 25



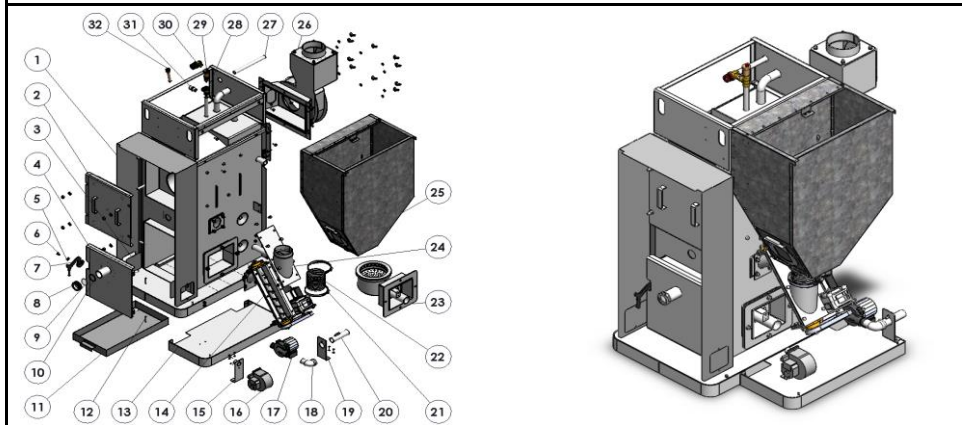
## NORMA SAT I CENOVNIK rezervnih delova COMPACT 25

No.	Slika dela / pictures of parts	NAZIV / NAME	Tip kotla / Type of boiler	Dimenzija / Dimesion	CODE PDM	CODE INFOerp	Q.
1		ČIŠĆENJE KOTLA	Compact 25		S0001493		1
2		Kotao bez oplatom / Boiler of out side jacket	Compact 25	850x1055x1300	S0001152		1
3		Zaštita za kabal /	Compact 25	549x72,5x20	D0006179		1
4		Bočna desna strana oplata - duža / Right side hand panel - longer	Compact 25	633x1242x70	D0004849		1
5		Bočni poklopac oplata / Lateral cover panel	Compact 25	356x390	D0004933		1
6		Nosač ekspanzione posude - duži / Carrier of expansion vessel - longer	Compact 25	355x60x58	D0005738		1
7		Ekspanzionna posuda 10L / Expansion vessel 10L	Compact 25	525x128x200	K0000484		1
8		Nosač ekspanzione posude - kraći / Carrier of expansion vessel - shorter	Compact 25	265x60x58	D0005745		1
9		Dupli nipli 3/4"	Compact 25	3/4"	K0000550		1
10		Holender za inox crevo 3/4"	Compact 25		K0001451		2

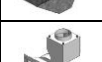
11		INOX rebrasto fleksibilno crevo za vodu fi 3/4"	Compact 25	L=210mm	D0018898		1
			/				
12		Plocica konektora zadnje strane	Compact 25	140x72	D0012153		
			/				
13		Tropolni konektor, muški, 250V 16A, EP 1110 S (EP3F+EP3gS) / 3-pole connector, male, 250V 16A, EP 1110 S (EP3F+EP3gS)	Compact 25		K0000278		4
			/				
14		Sedmopolni konektor, ženski, 250V 16A, EP1500 (EP7M+EP7G) / 7-pole connector, female, 250V 16A, EP1500 (EP7M+EP7G)	Compact 25		K0000540		1
			/				
15		Sedmopolni konektor, muški, 250V 16A, EP1500 (EP7M+EP7G) / 7-pole connector, male, 250V 16A, EP1500 (EP7M+EP7G)	Compact 25		K0000277		1
			/				
16		Zada strana oplate - manja / Back panel - smaller	Compact 25	600x268	D0004883		1
			/				
17		L-profil zadnje strane oplate	Compact 25	16x16x600	D0004928		1
			/				
18		Zada strana oplate - veća / Back panel - bigger	Compact 25	538x1241,5x50	D0004755		1
			/				
19		Plastici ukrasni spoljni cep 1"	Compact 25		K0000171		2
			/				
20		Plastici ukrasni spoljni cep 1/2"	Compact 25		K0000172		3
			/				
21		Ukrasna guma 1"	Compact 25		K0000168		1
			/				
22		Kablovska uvodnica PG-11 PVC	Compact 25		K0000414		1
			/				
23		Poklopac silosa / Cover of silos	Compact 25	633x287,5x61	S0001528		
			/				
24		Klavr šarke zapoklopac silosa 13.35x270mm / Hingest for cover silos 13.35x270mm	Compact 25		D0017079		1
			/				
25		Poklopac na krovu oplate / Cover on top panel	Compact 25	175x175	D0007961		1
			/				
26		Nosač poklopca silosa / Carrier of cover of silos	Compact 25		K0001160		1
			/				
27		Ručica poklopca silosa / Handle of cover for silos	Compact 25		K0000282		1
			/				
28		Krov oplate / Top panel	Compact 25	792x580x61	S0001505		1
29		Izolacija bočne leve strane oplate	Compact 25	1240x810x30	D0017085		1
30		Bočna leva strana oplate / Left side hand panel	Compact 25	792x1242x92	D0004717		1
31		Plastici ukrasni unutrasnji cep 1/2"	Compact 25		K0000174		2
32		Ukrasna guma 3/4"	Compact 25		K0000170		5

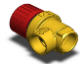



33		Prednji unutrašnji deo oplate / Front inside part of panel	Compact 25	438x273x18,5	D0004721		1
34		Čeona strana oplate - kutija za automatiku / Front side panel - box for automatic	Compact 25	480x260x107	S0001524		1
35		Vrata oplate - veća / Door of panel - bigger	Compact 25	480x980x90	S0001541		1
36		Prekidač dvopolni ON/OFF, sa lampicom i 4 priključka, za otvor 30x22mm. 230V 16A. / Switch 2-pole ON/OFF with indicator and 4 connection, for hole 30x22mm. 230V 16A	Compact 25		K0000556		1
37		Displej automatike / Display of automatic control	Compact 25		K0001181		1
38		Prohromski turbulator / INOX Turbulator	Compact 25	540x46	D0005587		5
39		Čeona strana oplate - manja / Front panel - smaller	Compact 25	220x273x34	D0004850		1
40		L-profil manji	Compact 25	25x16x80	D0005853		1
41		Vrata oplate - manja / Door of panel - smaller	Compact 25	235x980x90	S0001534		1
42		Bočna desna strana oplate - kraća / Right side hand panel - shorter	Compact 25	193x1242x87	D0004722		1
43		Klavir šarke za vrata oplate 13.35x980mm / Hingest for door plate 13.35x980mm	Compact 25		D0017077		2
44		Bravica za vrata oplate / Bracket - female for door plate	Compact 25		K0000444		2
45		Plastični deo ručice donjih vrata/ Plastic of handle for the lower door	Compact 25		K0000155		1

Telo kotla sa dozerom i ložištem / Boiler of out side jacket Compact 25

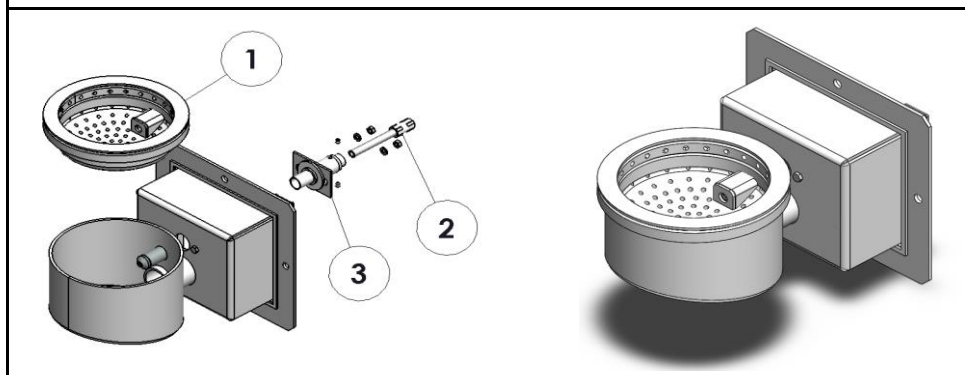




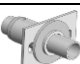
No.	Slika dela / pictures of parts	Naziv / Name	Tip kotla / Type of boiler	Dimenzija / Dimesion	CODE PDM	CODE INFOerp	Q.
1		Telo kotla COMACT20 / Body of boiler COMACT20	Compact 25	584x811x1206	S0001032		1
2		Gornji poklopac za čišćenje izmenjivača / top cover for cleaning heat exchanger	Compact 25	348x375,5x80	S0001842		1
3		Poklopac unutrašnjeg dela štitnika	Compact 25	120x120	D0006055		2
4		Donja vrata / Lower door	Compact 25	354x377,5x124	S0001849		1
5		Podloška za ručicu donjih vrata / Washer for handle of lower door	Compact 25		K0000222		1
6		Vijak za ručicu donjih vrata / Screw for handle of lower door	Compact 25		K0000823		1
7		Ručica donjih vrata / Handle for the lower door	Compact 25		SW-3720		1
8		Poklopac revizora / Cover of reviser	Compact 25		K0000832		1
9		Staklo poklopca revizora / Glass od cover of reviser	Compact 25		K0000316		1
10		Dihung poklopca revizora / Seal od cover of reviser	Compact 25		K0000317		1

11		Pepeljara / Ashtray	Compact 25		S0001367		1
12		Čivija za bolcni donjih vrata 6x40 DIN 1481 / Čivija for bolt the hinge of lower door 6x40 DIN 1481	Compact 25		K0000025		2
13		Bočna nadogradnja poda / Lateral upgrade of socle	Compact 25		S0001628		1
14		Kompletan dozator sa motorom COMPACT20 / Complete feeder with motorom of COMPACT20	Compact 25	462x280x193	S0001072		1
15		Nosač ventilatora za potpalu / Carrier of fan for ignition	Compact 25		S0003211		1
16		Ventilator za potpalu CAA07B-008-CFA003- 07-P 230V, 50-60Hz / Fan for ignition CAA07B-008-CFA003-07-P 230V, 50- 60Hz	Compact 25		K0001070		1
17		Pumpa "WILO" 1" RS25/6-3P, 230V / Pump "WILO" 1" RS25/6-3P, 230V	Compact 25		K0000582		1
18		Koleno - muško - žensko, 1"	Compact 25		K0000681		1
19		Pločica osigurač od okretanja cevi	Compact 25		D0011948		1
20		Štucna, Ø33.7 x 120 mm	Compact 25		D0007937 + D0011950		1
21		Šelna fleksibilnog creva / Clout for flex.connection	Compact 25		K0000952		2
22		Fleksibilno crevo između silosa i dozatora / Flexible connection between silos and feeder	Compact 25		D0009406		1
23		Kutija za sagorevanje / Box of combustion	Compact 25		S0003784		1
24		Poklopac dozera / Cover of feeder	Compact 25		S0003920		1
25		Silos / Silos	Compact 25		S0001113		1
26		Dimnjača / Chimneys	Compact 25		S0001335		1
27		Štucna, 1/2" x 235 mm	Compact 25	1/2" x 235 mm	K0001588		1
28		T - segment 1/2"	Compact 25		K0000682		1
29		Odzračni ventil 1/2" / Air vent 1/2"	Compact 25		K0000559		1

30		Sigurnosni ventil 1/2" / Pressure safety valve 1/2"	Compact 25		K0000560		1
31		Dupli nipli 1/2"	Compact 25		K0000551		1
32		Uložak sonda 1/2" x 110 mm ACV 63438001	Compact 25		K0000349		1
33		Bolci šarke donjih vrata / Bolt the hinge of lower door	Compact 25		SW-3713		2

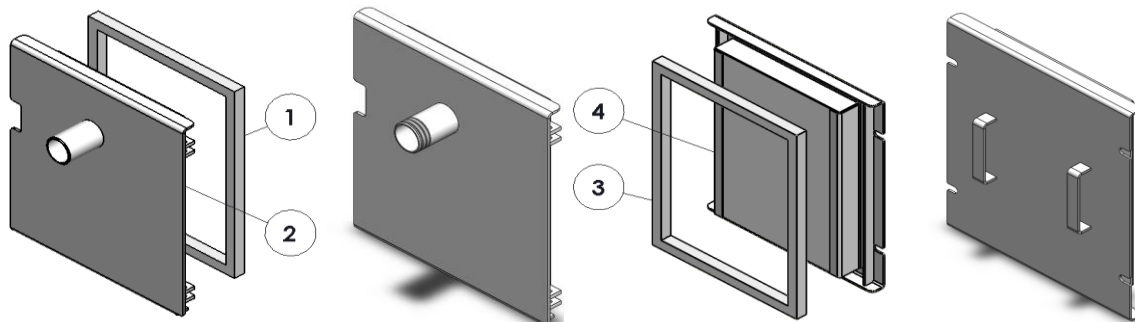
**LOŽIŠTE / Combustion chamber COMPACT 25**







No.	Slika dela / pictures of parts	Naziv / Name	Tip kotla / Type of boiler	Dimenzija / Dimension	CODE PDM	CODE INFOerp	Q.
1		Prohromska šolja za sagorevanje / INOX cup of combustion box	Compact 25	195x195x71	S0003786		1
2		Elektrini patronski, keramički grejac, 300W, FKK PSx-2-240-B	Compact 25		K0001568		1
3		Sklop kućišta keramičkog grejača / Housing of ceramic igniter	Compact 25		S0003783		1

**DONJA VRATA / Lower door COMPACT 25**

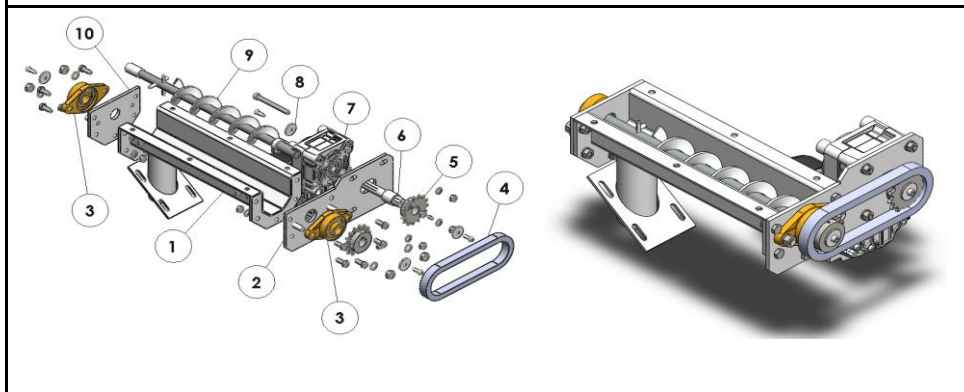
Gornji poklopac za čišćenje izmenjivača / top cover for












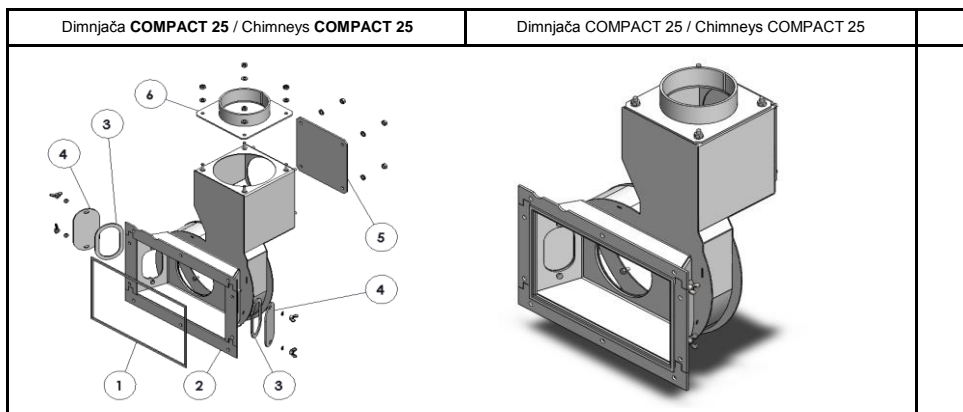
No.	Slika dela / pictures of parts	Naziv / Name	Tip kotla / Type of boiler	Dimenzija / Dimension	CODE PDM	CODE INFOerp	Q.
1		Pletenica 20x20x1340 / Ceramic rope 20x20x1340	Compact 25	20x20x1340	D0005927		1
2		Donja vrata bez pletenice	Compact 25	354x377.5x125	S0001849		/




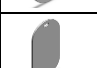
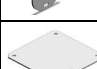

3		Pletenica 20x20x1270 / Ceramic rope 20x20x1270	Compact 25	20x20x1270	D0005913		1
4		Gornji poklopac za čišćenje izmjenjivača bez pletenice / top cover for cleaning heat exchanger	Compact 25	348x375.5x80	S0001842		/

**Kompletan dozator sa motorom COMPACT 25 / Complete feeder with motor of COMPACT 25**

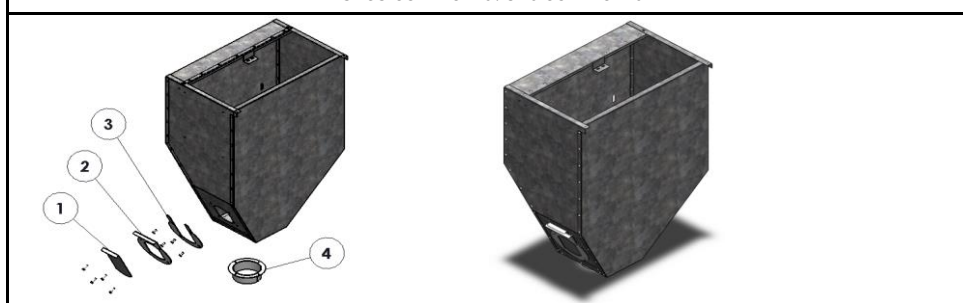






No.	Slika dela / pictures of parts	Naziv / Name	Tip kotla / Type of boiler	Dimenzija / Dimension	CODE PDM	CODE INFOerp	Q.
1		Kanal transportera	Compact 25	350x130x190	S0001074		1
2		Ploča A	Compact 25	280x120x30			1
3		Ležaj UCFL 204 / Bearing UCFL 204	Compact 25		K0000096		2
4		Prenosnik snage LANAC 08B - 19č / Power transmission chain 08B - 19č	Compact 25		D0017055	00012290	1
5		Lančanic 083-3/16"-15 / Chainwheel 083-3/16"-15	Compact 25		K0000087	00011507	2
6		Osovina motora / Axle for motor	Compact 25	25x118	D0005009		1
7		Motor reduktor 0.04kW 230V 0.41A. Tip:FGA53/4EK56AX-4 / Motor reducer 0.04kW 230V 0.41A. Tip:FGA53/4EK56AX-4	Compact 25		K0001247		1
8		Podloška spirale / Washer for spiral	Compact 25		D0000832		4
9		Sklop spirale	Compact 25		S0001073		1
10		Ploča B	Compact 25	130x101x30	S0001276		1



No.	Slika dela / pictures of parts	Naziv / Name	Tip kotla / Type of boiler	Dimenzija / Dimension	CODE PDM	CODE INFOerp	Q.
1		Pletenica dimnjače 6x6x1110 / Ceramic rope for chimneys 6x6x1110	Compact 25	6x6x1110	D0004341		1
2		Dimnjača bez poklopca / Chimneys without cover	Compact 25		/		1
3		Izolacija poklopca dimnjace keramička traka	Compact 25	10x330x3	D0014004		2
4		Poklopac za dimnjaču / Cover of chimneys	Compact 25	70x140	D0014003		2
5		Poklopac dimnjače / Cover of chimneys	Compact 25	184x180	D0005363		1
6		Poklopac dimnjače sa izlazom Ø130 / Cover of chimneys with outlet Ø130	Compact 25		S0001635		1

#### SILOS COMPACT 25 / SILO COMPACT 25






No.	Slika dela / pictures of parts	Naziv / Name	Tip kotla / Type of boiler	Dimenzija / Dimension	CODE PDM	CODE INFOerp	Q.
1		Klapna silosa / Flap of silos	Compact 25	75x165	D0011885		1
2		Spoljna prirubnica klapne silosa / External flange for flap of silos	Compact 25	150x175	D0011884		1
3		Prirubnica-usmerivač klapne silosa / Flang-router for flap of silos	Compact 25	175x175	D0011883		1
4		Prirubnica silosa / Flange of silo	Compact 25	130x40	S0003277		1



**ELEKTRO KOMPANENETE i OSTALO COMPACT 25 / Electrical component & other COMPACT 25**

No.	Slika dela / pictures of parts	Naziv / Name	Tip kotla / Type of boiler	Dimenzija / Dimension	CODE PDM	CODE INFOerp	Q.
1		Osigurač za sonde, opruga-žabica	Compact 25		K0001104		1
2		Samolepljivi nosač za vezice 20x20mm	Compact 25		K0001103		1
3		Bužir za grejač	Compact 25	0,1m	K0001367		
4		Fleksibilno crevo sa spiralom. Texoflex - ECGFE10N. Prečnik $\phi=10$ mm. Boja: crna. EN 61386-1, EN 61386-23	Compact 25	1,8m	K0001186		
5		Fleksibilno crevo sa spiralom. Texoflex - ECGFE08N. Prečnik $\phi=8$ mm. Boja: crna. EN 61386-1, EN 61386-23	Compact 25	12,8m	K0001084		
6		Ventilator ebm Papst , R2E210-AA34-01	Compact 25		K0001350		1
7		Procesor automatike TIEMME SY250 / Procesor of automatic control TIEMME SY250	Compact 25		K0001164		1
8		Sonda za temp. dimnih gasova 1500mm, termopar K tipa, 3x60mm, 550° / Probe for temperature flue gases 1500mm, termopar K tipa, 3x60mm, 550°	Compact 25		K0001477		1
9		Sonda za sobnu temp. 800mm, NTC 10k, 5x30mm	Compact 25		/		1
10		Sonda za temp. vode u kotlu 2000mm, NTC 10k, 6x30mm / Probe for water in boiler 2000mm, NTC 10k, 6x30mm	Compact 25		K0001478		1
11		Monofazni utikač sa uzemljenjem, crni, 230V 16A, DIN VDE 0620-1 / Single phase plug with grounding, black, 230V 16A, DIN VDE 0620-1	Compact 25		K0001101		1
12		Tropolni konektor, ženski, 250V 16A, EP 1110 S (EP3F+EP3gS)	Compact 25		K0001099		5
13		Četvorpolni konektor, muški, 250V 16A, EP1203 M (EP4MV+EP4GM)	Compact 25		K0000469		1
14		Četvorpolni konektor, ženski, 250V 16A, EP1213 (EP4FV+EP4g)	Compact 25		K0001364		1
15		PVC Navlake za neizolovane natične kontakte-buksne širine 6.3mm. Dimenzije 9x4.6x25.3	Compact 25		K0001317		10
16		Kablovske PVC Vezice. Dužina 100mm. Širina 2.5mm. UL 94 V-2, E 244624	Compact 25		K0001093		15
17		Kablovske PVC Vezice. Dužina 200mm. Širina 4.8mm. UL 94 V-2, E 244624	Compact 25		K0001094		8
18		Izolovana okasta kablovska papučica. Za presek provodnika 1mm <sup>2</sup> , $\phi$ 4mm. DIN46237 A	Compact 25		K0001092		1
19		Izolovana okasta kablovska papučica. Za presek provodnika 2.5mm <sup>2</sup> , $\phi$ 6mm. DIN46237 A	Compact 25		K0001263		2

20		Izolovana okasta kablovska papučica.Za presek provodnika 1mm <sup>2</sup> , φ 5mm. DIN46237 A	Compact 25		K0001261		2
21		Potpuno izolovani kablovski natični kontakt - Buksna.Za presek provodnika 0.5-1mm <sup>2</sup> . Širine 6.3mm.	Compact 25		K0001173		1
22		Kablovski neizolovani natični kontakt - Buksna.Za presek provodnika 0.5-1mm <sup>2</sup> . DIN 46247 Širine 6.3mm.	Compact 25		K0001090		10
23		Sigurnosni termostat 110-6°, C 250V ~. STB 115408 / Safety thermostat 110-6°, C 250V ~. STB 115408	Compact 25		K0001345		1
24		Izolovane završne čaure za provodnike-Hilzne.Za presek provodnika 1.5mm <sup>2</sup> .DIN 46228 E	Compact 25		K0001087		6
25		Izolovane završne čaure za provodnike-Hilzne.Za presek provodnika 0.75mm <sup>2</sup> .DIN 46228 E	Compact 25		K0001195		10
26		Izolovane završne čaure za provodnike-Hilzne.Za presek provodnika 1mm <sup>2</sup> .DIN 46228 E	Compact 25		K0001089		45
27		Finožičani provodnik sa izolacijom od silikonske gume. Tip: Si/F 1 mm <sup>2</sup> . Boja izolacije :bela.	Compact 25	4,8m	K0001082		
28		Finožičani provodnik sa izolacijom od silikonske gume. Tip: Si/F 1 mm <sup>2</sup> . Boja izolacije :crna.	Compact 25	12,6m	K0001081		
29		Finožičani provodnik sa izolacijom od silikonske gume. Tip: Si/F 1 mm <sup>2</sup> . Boja izolacije :žuta.	Compact 25	2,6m	K0001080		
30		Finožičani provodnik sa izolacijom od silikonske gume. Tip: Si/F 1 mm <sup>2</sup> . Boja izolacije :crvena.	Compact 25	3,8m	K0001079		
31		Finožičani provodnik sa izolacijom od silikonske gume. Tip: Si/F 1 mm <sup>2</sup> . Boja izolacije :plava.	Compact 25	6,8m	K0001078		
32		Finožičani provodnik sa izolacijom od silikonske gume. Tip: Si/F 1 mm <sup>2</sup> . Boja izolacije :braon.	Compact 25	9,4m	K0001077		
33		Finožičani provodnik sa izolacijom od silikonske gume. Tip: Si/F 1 mm <sup>2</sup> . Boja izolacije :žuto-zelena.	Compact 25	14,6m	K0001076		
34		Laki finožičani provodnik sa izolacijom od PVC mase i plaštom od PVC mase. Tip: PP/L 3x1.5mm <sup>2</sup> .Boja izolacije :siva	Compact 25	2m	K0001083		
35		Fleksibilno rebrasto crevo ventilatora za potpalu Ø28 - 300mm / Flex. Ribbed pipe for fan for ignition Ø28 - 300mm	Compact 25		K0001187		1
37		Kabal za povezivanje procesora i displeja automatike / Connect cable of processor and dispey of automatic	Compact 25		/		1
38		Keramička dvopolna, redna stezaljka - kleva 2UL / Ceramic, 2-pole, terminal - 2UL	Compact 25		K0001325		1